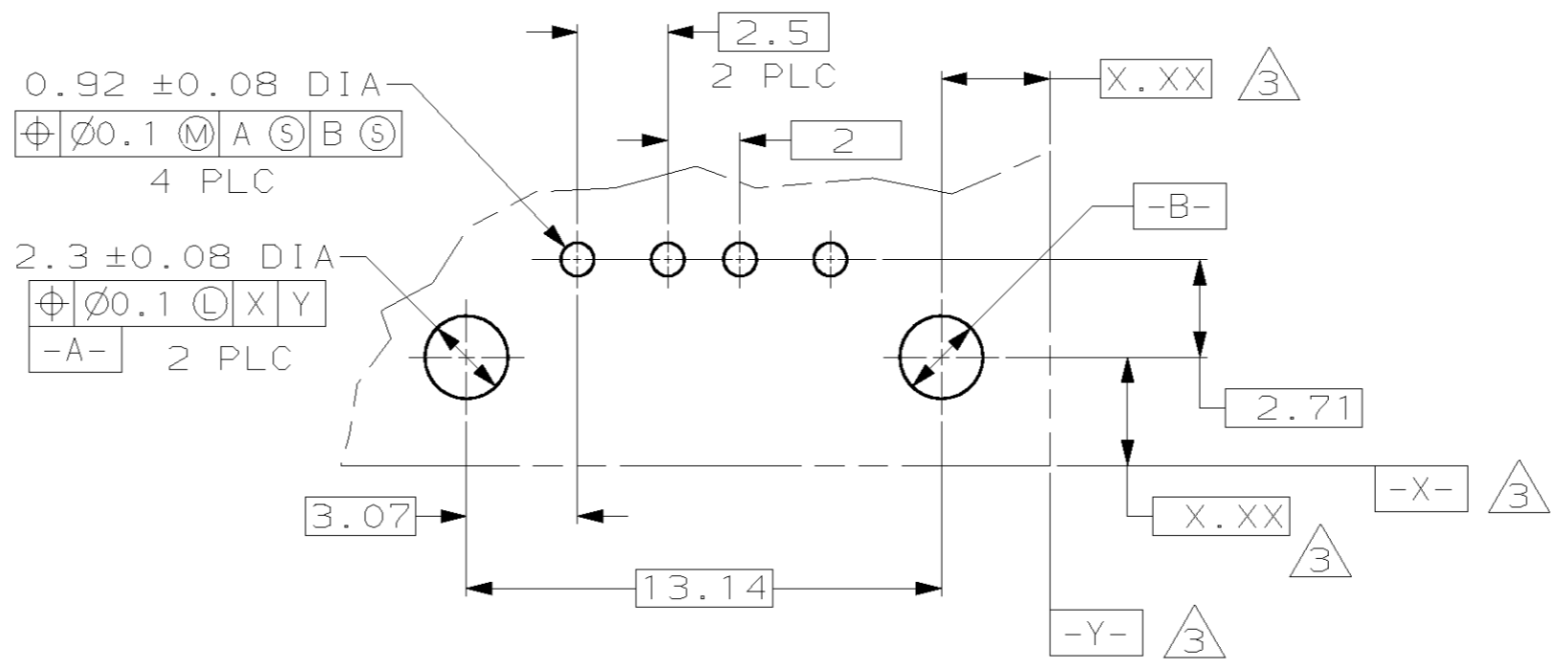
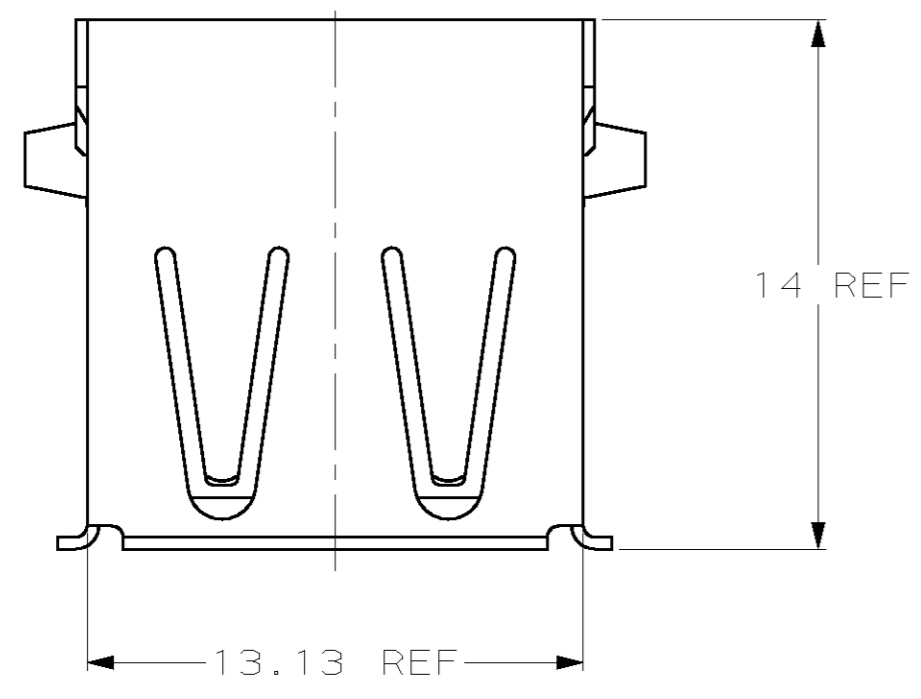


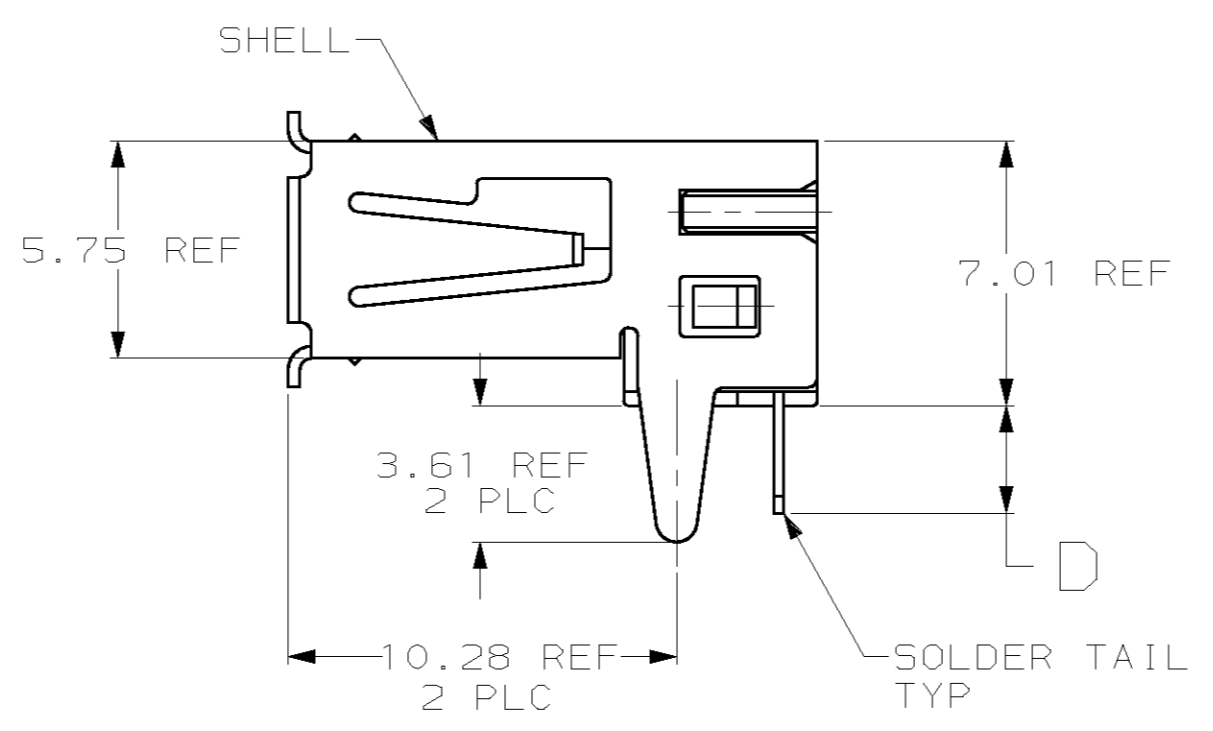
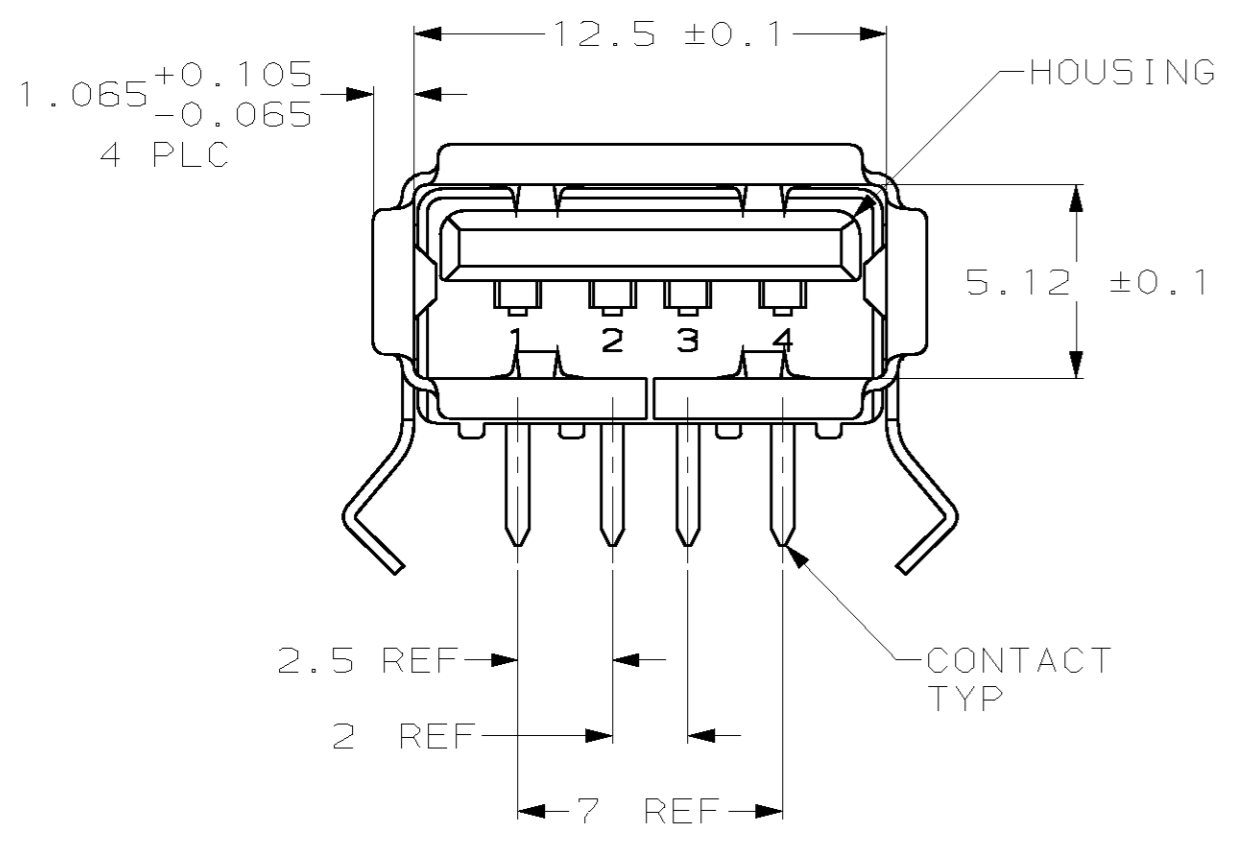
THIS DRAWING IS UNPUBLISHED. RELEASED FOR PUBLICATION BY AMP INCORPORATED. ALL RIGHTS RESERVED.

LOC		DIST		REVISIONS			
P	LTR	DESCRIPTION	DATE	DWN	APVD		
J	00						
		K	REVISED PER EC 0513-0426-03	11JAN04	JG	JG	



PC BOARD MOUNTING DIMENSIONS ⁴

- ¹ MATERIAL:
SHELL & CONTACTS- COPPER ALLOY.
HOUSING- UL 94V-0 RATED, THERMOPLASTIC, COLOR SEE TABLE.
- ² PLATING:
CONTACTS- 0.076μm MINIMUM GOLD OVER 0.76μm MINIMUM PALLADIUM-NICKEL ON MATING AREA.
3.8μm MINIMUM TIN-LEAD ON SOLDER TAILS.
BOTH OVER 1.27μm MINIMUM NICKEL.
CONTACT ALTERNATE PLATING: 0.76μm MIN GOLD ON MATING AREA, 3.80μm MIN TIN LEAD ON SOLDER TAILS, BOTH OVER 1.27μm MIN NICKEL.
SHELL: 5μm MINIMUM BRIGHT TIN OVER 2.5μm MINIMUM COPPER.
- ³ DATUM AND BASIC DIMENSIONS ESTABLISHED BY CUSTOMER.
- ⁴ RECOMMENDED PC BOARD THICKNESS OF 1.57.



YES	2.29	BLACK	787616-6
YES	2.84	NATURAL	787616-5
YES	2.84	BLACK	787616-4
NO	2.84	NATURAL	787616-3
NO	2.29	BLACK	787616-2
NO	2.84	BLACK	787616-1

HIGH TEMPERATURE COMPATIBLE	D	HOUSING COLOR	PART NUMBER
-----------------------------	---	---------------	-------------

<small>THIS DRAWING IS A CONTROLLED DOCUMENT FOR AMP INCORPORATED. IT IS SUBJECT TO CHANGE AND THE CONTROLLING ENGINEERING ORGANIZATION SHOULD BE CONTACTED FOR THE LATEST REVISION.</small>		DWN M.E.SHIRK 01/24/95 CHK WAYNE DAVIS 01/24/95 APVD R. WALTER 08 NOV 95	AMP AMP Incorporated Harrisburg, PA 17105-3608
DIMENSIONS: mm 	TOLERANCES UNLESS OTHERWISE SPECIFIED: 0 PLC ±- 1 PLC ±- 2 PLC ±0.25 3 PLC ±- 4 PLC ±- ANGLES ±- FINISH ²	PRODUCT SPEC APPLICATION SPEC WEIGHT -	RECEPTACLE ASSEMBLY, RIGHT ANGLE, 4 POSITION, THRU-HOLE, USB SIZE A2 CAGE CODE 00779 DRAWING NO C=787616 SCALE 5:1 SHEET 1 OF 1 REV K
MATERIAL ¹		CUSTOMER DRAWING	

787616